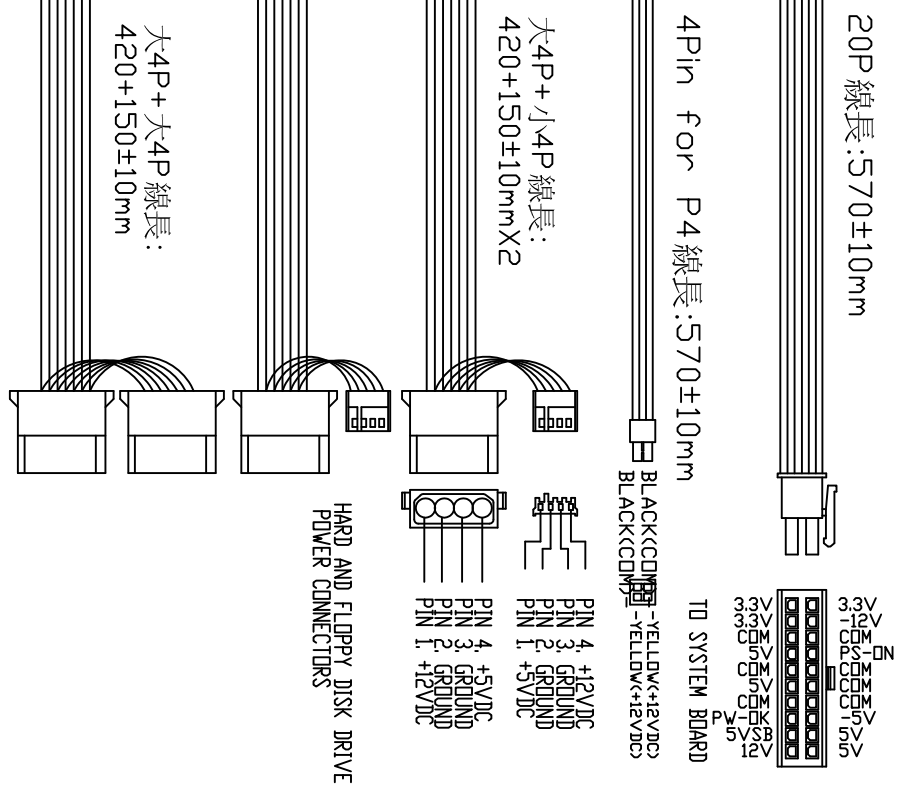
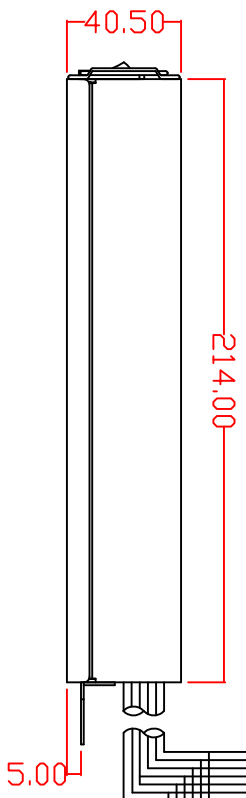
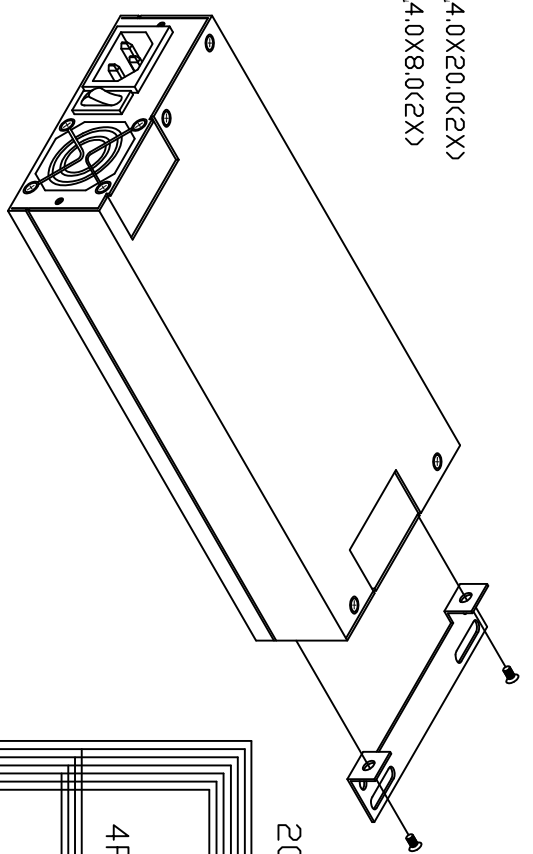


DB孔(4.0X20.0(2X))  
DB孔(4.0X8.0(2X))



Enhance Electronics		MTL SPEC UNSPECIFIED TOL'S	
PRD#	SCALE	0-10	±0.1
FILE NO. 300SP/1U	TITLE: Active PFC	10-50	±0.15
MODEL#	UNIT#	50-150	±0.2
mm	SHEET# 1/1	150-250	±0.25
REV. 1	APP	CHK	
DRV 1	DGN	DRV	93.8.3
			Andy